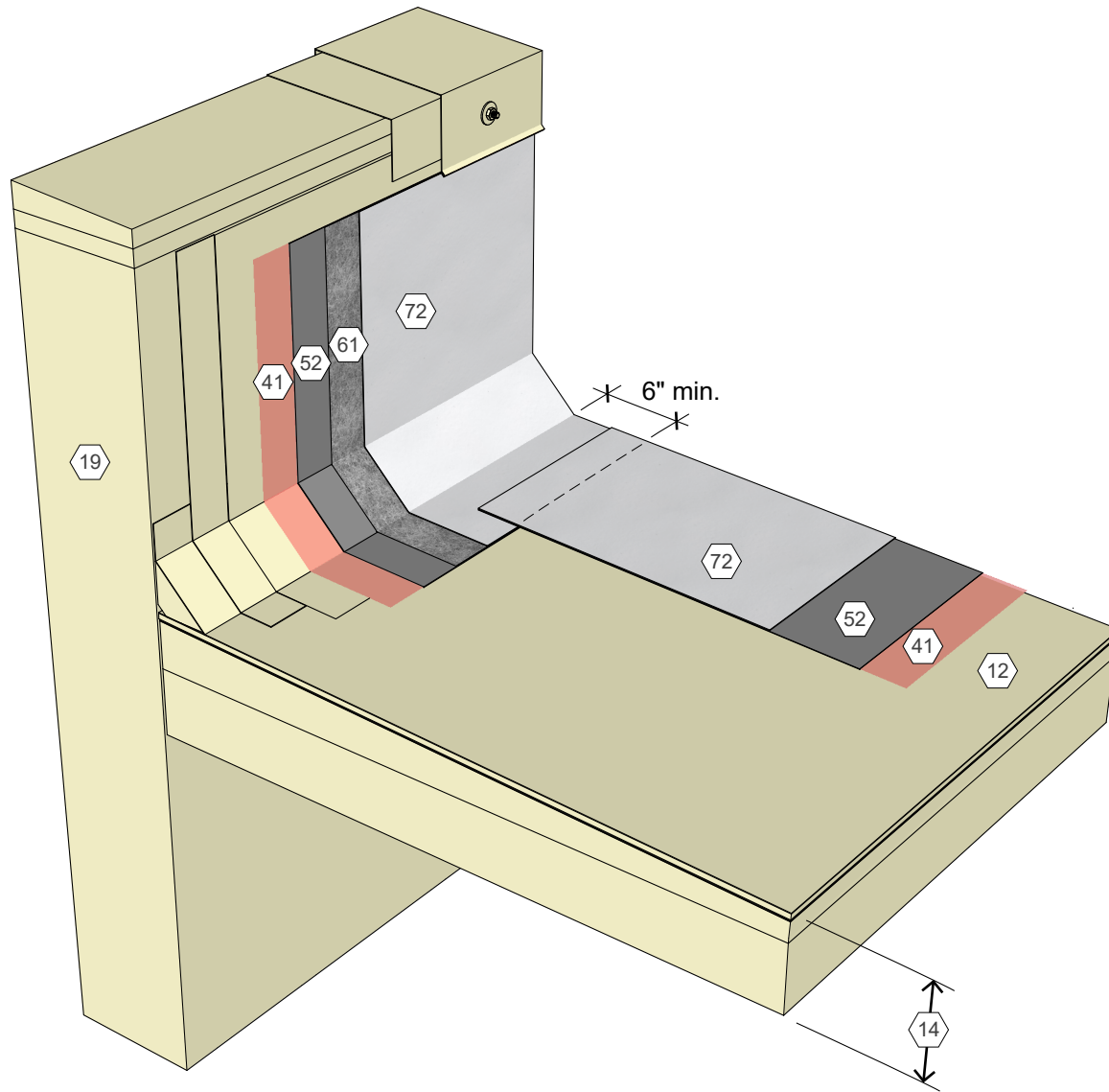


KEY NOTES

- ①① Existing Single-Ply Membrane
- ①④ Existing Structural Deck and Insulation Assembly
- ①⑨ Existing Wall Assembly
- ④① Approved Primer
- ⑤② AlphaGuard BIO Base Coat
- ⑥① AlphaGuard Glass Mat or Permafab
- ⑦② AlphaGuard BIO Top Coat

AlphaGuard® BIO NR Restoration Detail, Single-Ply, Coping Cap
Detail 15011



KEY NOTES

- ⑫ Existing MB or Smooth BUR
- ⑭ Existing Structural Deck and Insulation Assembly
- ⑰ Existing Wall Assembly
- ④① Approved Primer
- ⑤② AlphaGuard BIO Base Coat
- ⑥① AlphaGuard Glass Mat or Permafab
- ⑦② AlphaGuard BIO Top Coat

AlphaGuard® BIO NR Restoration Detail, MB or Smooth BUR, Coping Cap
Detail 15012